

OVERFILL PROTECTION VALVES

AST VALVE

UNIVERSAL
Advantage

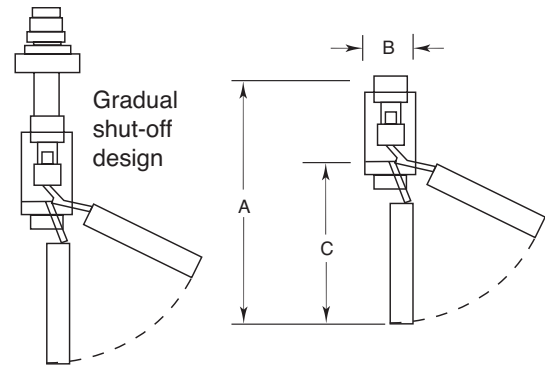
Application -

Prevent overfills in AST's.

Part Number - 49 Patent Number 5,660,214



The best overfill protection available today.
No line shock and gradual shut-off to eliminate any stress on the system.



Features -

- ✓ No line shock, gradual shut-off design
- ✓ No stress on system
- ✓ No float hang-up
- ✓ Prevents overfills in above ground tanks, reducing contamination and costly clean-up
- ✓ Completely automatic operation
- ✓ Easily retro-fitted to existing tanks
- ✓ Shipped with fill adapter
- ✓ Adjustable collar provides simple installation
- ✓ Minimal pressure drop
- ✓ Compatible with E-85 (Model E-49)

Construction -

- Hard coated aluminum pipe adapter
- Zinc plated steel linkage
- Reinforced closed cell float

Model	Fill Adapter Size	Weight (lbs.)	A	B	C
49-02	2"	10.0	22-3/8"	3-11/16"	15-3/4"
49-03	3"	10.0	22-3/8"	3-11/16"	15-3/4"
E-49-02	2"	10.0	22-3/8"	3-11/16"	15-3/4"
E-49-03	3"	10.0	22-3/8"	3-11/16"	15-3/4"

49-DTC attaches standard 2" Aluminum Drop Tube (sold separately)

49-Cap 2" Fill Cap (sold separately)

Replacement Parts

Part Numbers	Description
49-C-3	3x2 Adapter
49-C	2" Fill Adapter (Model 49-02)
49-CAP	2" Dust Cap (Model 49-02)
49-D	2" x 4" Adapter (Model 49-02)
49-L	Adapter O-Ring (Model 49-02)
49-O	Float (Model 49-02)
49-V	2" x 12" Nipple (Model 49-02)

Notice: Universal Valve Co., products must be used in compliance with applicable federal, state, and local laws and regulations. Product selection should be based on physical specifications and limitations and compatibility with the environment and material to be handled. Universal Valve Co., makes no warranty of fitness for a particular use. All illustrations and specifications in this literature are based on the latest production information available at the time of publication. Prices, materials, and specification are subject to change at any time, and models may be discontinued at any time, in either case, without notice or obligation.