



Proven Performance Since 1932.

CAPS

PIPE CAP

Application -

Capping pipe in extractor valve assemblies, storage tanks, and monitoring wells.

Part Number - 412



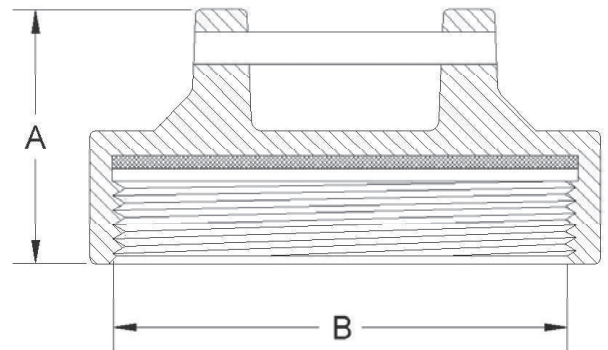
Features -

- ✓ A convenient cross bar for easy removal and installation
- ✓ Rugged metal construction

Construction -

- All cast aluminum
- Plated steel cross bar
- Buna-N gasket

Model	Thread Size	Weight (lbs.)	A	B
412-40	4"	1.2	2.5"	4"



Replacement Parts

Part Numbers	Description
412-4-B	Groove Pin
724-44-B	Gasket

Notice: Universal Valve Co., products must be used in compliance with applicable federal, state, and local laws and regulations. Product selection should be based on physical specifications and limitations and compatibility with the environment and material to be handled. Universal Valve Co., makes no warranty of fitness for a particular use. All illustrations and specifications in this literature are based on the latest production information available at the time of publication. Prices, materials, and specification are subject to change at any time, and models may be discontinued at any time, in either case, without notice or obligation.

UNIVERSAL VALVE COMPANY

478 Schiller Street, Elizabeth, NJ 07206 • (800) 223-0741 • (908) 351-0606 • Fax: (908) 351-0369 • universalvalve.com

© 2020 Universal Valve Company, Inc.