



The Most Complete Line of UST/AST Products!

MULTI-PURPOSE CHECK VALVES

UNION CHECK VALVE

Application -

Stops loss of prime caused by damaged foot valves, or angle check valves.
Mounts in standard union fitting under pump.

Part Numbers - 200A, 200AS



UNIVERSAL Advantage

Only from Universal! –Total cast bronze body construction for long life. Not plastic like other manufacturers.

Features -

- ✓ Easily inserted onto existing union fittings in a suction system
- ✓ Can be used until a damaged valve is repaired or replaced
- ✓ Available with screen to prevent contaminants from entering the pump

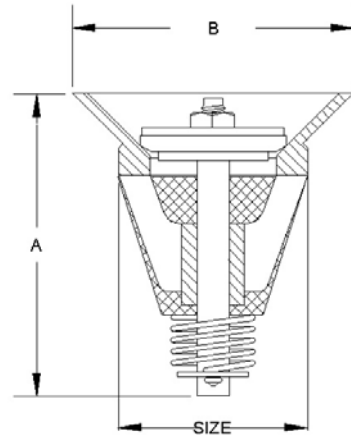
Construction -

- Cast bronze body
- Buna-N or Viton seals
- Brass screen

Model	Size	Weight (lbs.)	A	B	Seal
200A-15	1-1/2"	0.3	2-3/8"	2-1/8"	Buna-N
200AV-15	1-1/2"	0.3	2-3/8"	2-1/8"	Viton
200AS-15	1-1/2"	0.3	2-3/8"	2-1/8"	Buna-N w/ screen

Replacement Parts

Part Numbers	Description
200AS-15-J	Screen



Notice: Universal Valve Co., products must be used in compliance with applicable federal, state, and local laws and regulations. Product selection should be based on physical specifications and limitations and compatibility with the environment and material to be handled. Universal Valve Co., makes no warranty of fitness for a particular use. All illustrations and specifications in this literature are based on the latest production information available at the time of publication. Prices, materials, and specification are subject to change at any time, and models may be discontinued at any time, in either case, without notice or obligation.

UNIVERSAL VALVE COMPANY

478 Schiller Street, Elizabeth, NJ 07206 • (800) 223-0741 • (908) 351-0606 • Fax: (908) 351-0369 • universalvalve.com

© 2009 Universal Valve Company, Inc.