



Family Owned Over 75 Years. We Care!

ACCESSORIES

REPLACEMENT PIPE GUARD SYSTEM

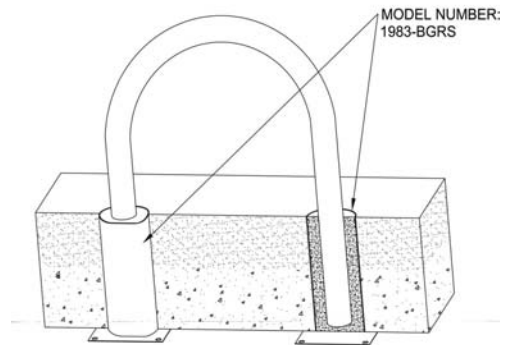
Application -

A solution to high replacement cost associated with replacing pipe guards that become damaged when used with an Universal Pipe Guard.

Part Number - 1983 Patent number 6,435,760

UNIVERSAL Advantage

The first and only solution to eliminate the high cost of pipe guard replacement.



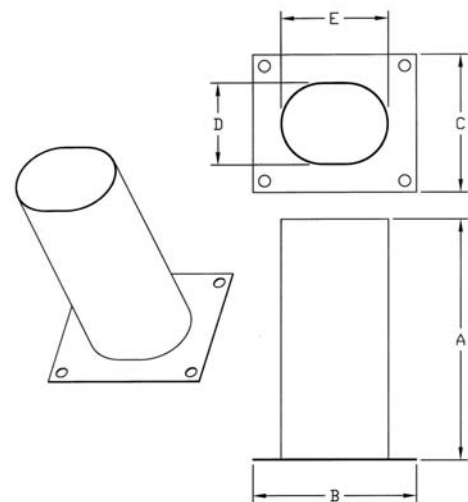
Features -

- ✓ Pays for itself numerous times over
- ✓ Eliminates the need to break concrete
- ✓ Minimizes downtime of island during replacement
- ✓ Acts as a receptacle for pipe guard retro-fit

Construction -

- 12 gauge galvanized sheet metal

Model	Weight (lbs.)	A	B	C	D	E
1983-BGRS	23	21"	14"	12"	7"	9"



Notice: Universal Valve Co., products must be used in compliance with applicable federal, state, and local laws and regulations. Product selection should be based on physical specifications and limitations and compatibility with the environment and material to be handled. Universal Valve Co., makes no warranty of fitness for a particular use. All illustrations and specifications in this literature are based on the latest production information available at the time of publication. Prices, materials, and specification are subject to change at any time, and models may be discontinued at any time, in either case, without notice or obligation.

UNIVERSAL VALVE COMPANY

478 Schiller Street, Elizabeth, NJ 07206 • (800) 223-0741 • (908) 351-0606 • Fax: (908) 351-0369 • universalvalve.com

© 2009 Universal Valve Company, Inc.