



Simply The Best!



TIGHT FILL ACCESSORIES

VAPOR RECOVERY-ADAPTER CHECK VALVE

Application -

Returning vapor back to the tank truck during a product drop. A poppeted valve seals vapor tight when uncoupled.

Part Number - 0611V



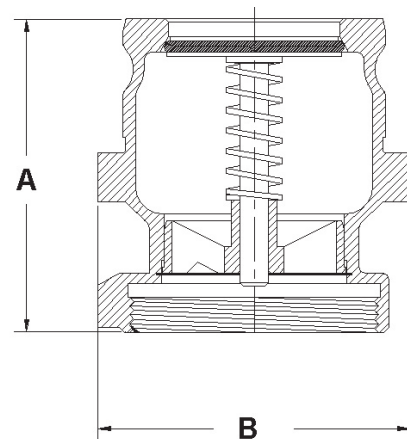
Features -

- ✓ Compatible with Universal caps 0613VC and 0614VC
- ✓ Corrosion resistant hard coated aluminum cast body
- ✓ Maximum working pressure rated at 10 PSI
- ✓ Compatible with E-85 (Model E-0611V)

Construction -

- Hard coated aluminum casting
- Buna-N gasket
- Chrome plated steel stem
- Aluminum stem guide
- Stainless steel spring

Model	Size	Weight (lbs.)	A	B
0611V-3040	3" x 4"	3.2	5-1/2"	5-5/8"
0611V-3030	3" x 3"	3.2	5-1/2"	5-5/8"
E-0611V-3040	3" x 4"	3.2	5-1/2"	5-5/8"



Replacement Parts

Part Numbers	Description
724-44-B	Gasket

Notice: Universal Valve Co., products must be used in compliance with applicable federal, state, and local laws and regulations. Product selection should be based on physical specifications and limitations and compatibility with the environment and material to be handled. Universal Valve Co., makes no warranty of fitness for a particular use. All illustrations and specifications in this literature are based on the latest production information available at the time of publication. Prices, materials, and specification are subject to change at any time, and models may be discontinued at any time, in either case, without notice or obligation.

UNIVERSAL VALVE COMPANY

478 Schiller Street, Elizabeth, NJ 07206 • (800) 223-0741 • (908) 351-0606 • Fax: (908) 351-0369 • universalvalve.com

© 2012 Universal Valve Company, Inc.