

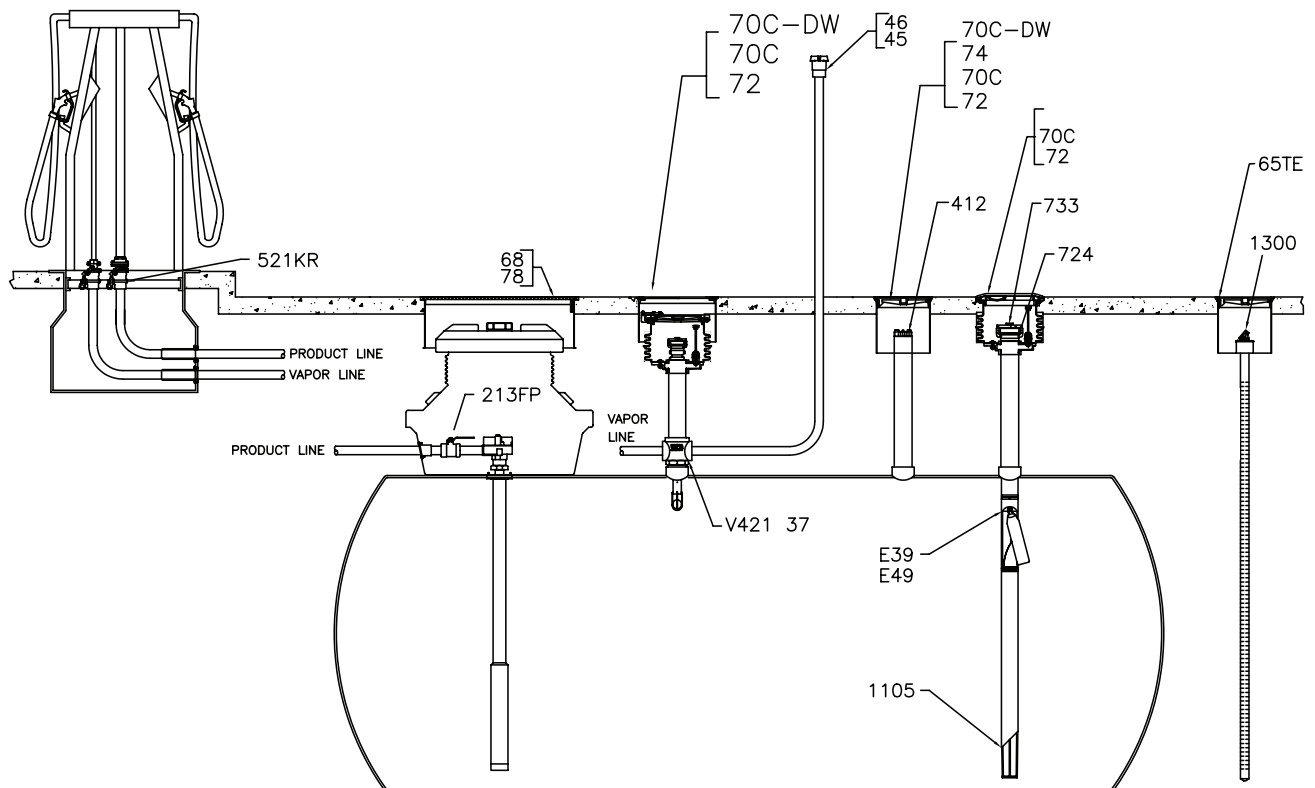


The Most Complete Line of UST/AST Products!

E-85 UST TANK DRAWING



37	Ball Float	213FP-SS	Stainless Steel Ball Valve
E-39	4" Gravity Fill Overfill Valve	412	Aluminum 4" Cap
45	2" Vent	V421	Extractor Body
46	2" Pressure Vacuum Vent	521KR	Shear Valve Mount
E-49	Pressure Fill Overfill Valve	E-723	Drop Tube
65TE	Triangle Tank Monitoring	724	Fill Adapter Cap
68/78	Steel Manhole	733	Grey Fill Adapter Cap
70C-DW	Double Wall Spill Container	1105	Drop Tube Diffuser
70C	5 Gallon Spill Container	1300	Environmental Plug
72	5 Gallon Spill Container w/Pump	E-0611V	Vapor Cap
74	Tank Monitoring Manhole	0613VC	Orange Vapor Cap



Notice: Universal Valve Co., products must be used in compliance with applicable federal, state, and local laws and regulations. Product selection should be based on physical specifications and limitations and compatibility with the environment and material to be handled. Universal Valve Co., makes no warranty of fitness for a particular use. All illustrations and specifications in this literature are based on the latest production information available at the time of publication. Prices, materials, and specification are subject to change at any time, and models may be discontinued at any time, in either case, without notice or obligation.

UNIVERSAL VALVE COMPANY

478 Schiller Street, Elizabeth, NJ 07206 • (800) 223-0741 • (908) 351-0606 • Fax: (908) 351-0369 • universalvalve.com

© 2017 Universal Valve Company, Inc.