

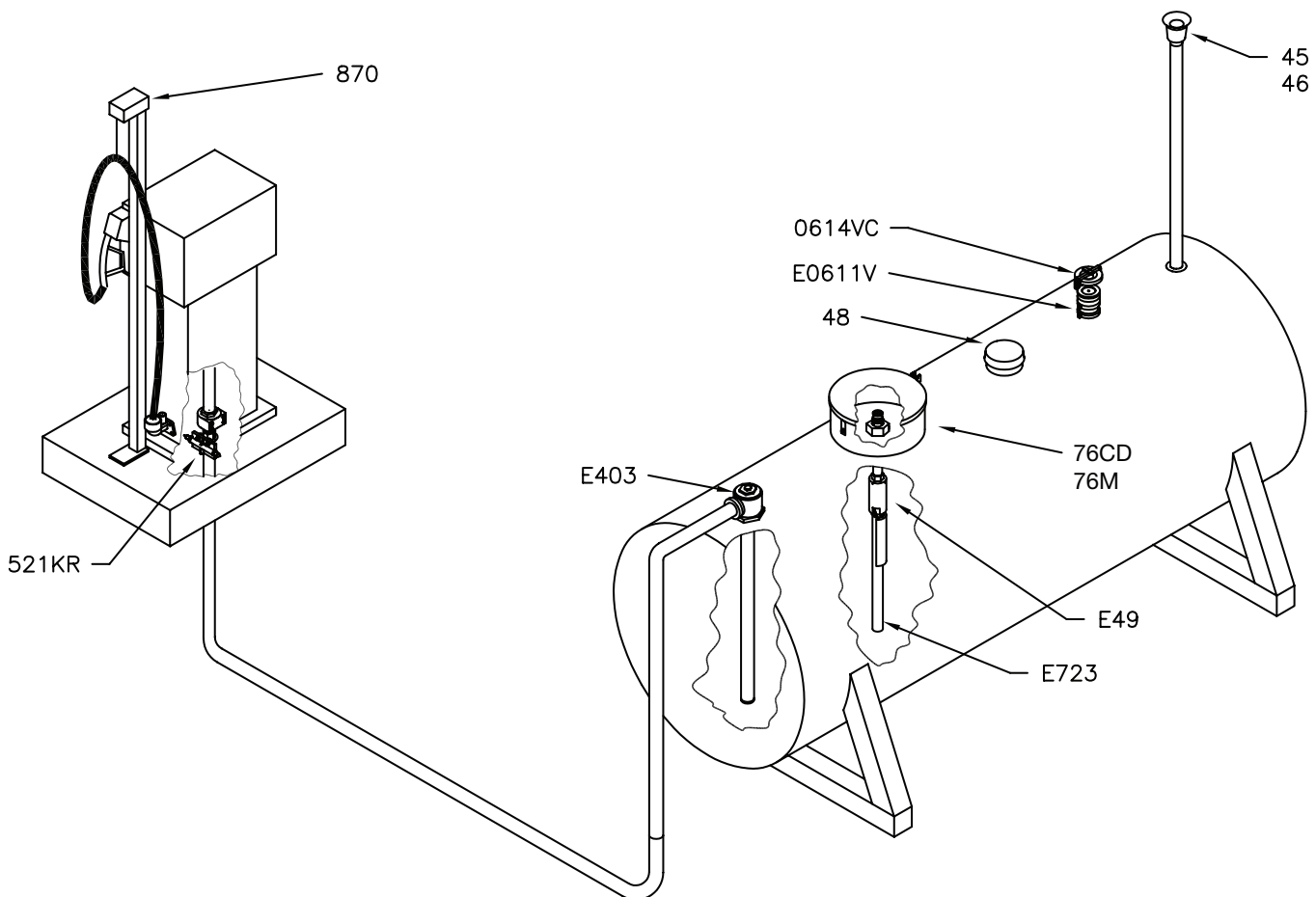


**Simply The Best!**

# E-85 AST TANK DRAWING



- 45            2" Vent
- 46            2" Pressure Vacuum Vent
- 48            4", 6", 8" Tank Vent
- E-49          Pressure Fill Overfill Valve
- 76CD        Spill Container
- 76M         Spill Container
- E-403        Anti-Syphon Valve
- 521KR       Shear Valve Mount
- E-723        Drop Tube
- 870          High Hose Retriever
- 0611V       Vapor Adapter
- 0613VC      Orange Vapor Cap



Notice: Universal Valve Co., products must be used in compliance with applicable federal, state, and local laws and regulations. Product selection should be based on physical specifications and limitations and compatibility with the environment and material to be handled. Universal Valve Co., makes no warranty of fitness for a particular use. All illustrations and specifications in this literature are based on the latest production information available at the time of publication. Prices, materials, and specification are subject to change at any time, and models may be discontinued at any time, in either case, without notice or obligation.

## UNIVERSAL VALVE COMPANY

478 Schiller Street, Elizabeth, NJ 07206 • (800) 223-0741 • (908) 351-0606 • Fax: (908) 351-0369 • [universalvalve.com](http://universalvalve.com)

© 2017 Universal Valve Company, Inc.