



Proven Performance Since 1932.



ABOVE GROUND MANHOLES

REMOTE FILL/LOCKING FILL BOX

Application -

AST remote fill requirements.

Part Number - 76RF Patent number 5,687,871 and Des. 401,305

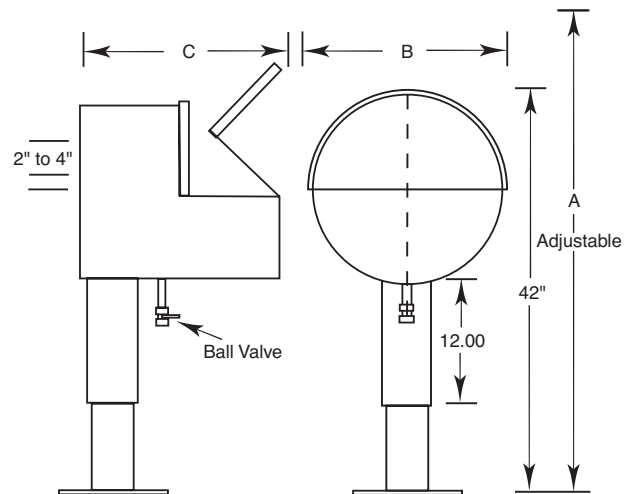


UNIVERSAL Advantage

Only from Universal! - A superior single post design allows for easy adjustment during installation. A round top structure eliminates snow and rain build-up.

Features -

- ✓ Single pedestal design with one telescoping pipe allows for proper height adjustment
- ✓ Fast installation
- ✓ Round top structure, eliminates all snow and rain build-up
- ✓ Easy draining, with the round contour bottom to eliminate any liquid build-up
- ✓ All steel construction, for rugged strength and security
- ✓ Locking cover, provides security at tank to assure no unauthorized entry
- ✓ Epoxy coating resists hydrocarbons for long life
- ✓ Compatible with E-85



Construction -

- Epoxy coated 12 gauge steel container
- Buna-N seal

Model	Pipe	Gallon Capacity	Weight (lbs.)	A	B	C
76RF-02	2"	8	72	42" to 52"	17"	18"
76RF-03	3"	8	72	42" to 52"	17"	18"
76RF-04	4"	8	72	42" to 52"	17"	18"

Replacement Parts

Part Numbers	Description
76RF-08	4" Grommet
76RF-12	3/4" Ball valve
76RF-2-G	2" Grommet Kit
76RF-3-G	3" Grommet Kit
76RF-A	Tank and base only
6000-1-16	Handle

Notice: Universal Valve Co., products must be used in compliance with applicable federal, state, and local laws and regulations. Product selection should be based on physical specifications and limitations and compatibility with the environment and material to be handled. Universal Valve Co., makes no warranty of fitness for a particular use. All illustrations and specifications in this literature are based on the latest production information available at the time of publication. Prices, materials, and specification are subject to change at any time, and models may be discontinued at any time, in either case, without notice or obligation.

UNIVERSAL VALVE COMPANY

478 Schiller Street, Elizabeth, NJ 07206 • (800) 223-0741 • (908) 351-0606 • Fax: (908) 351-0369 • universalvalve.com

© 2009 Universal Valve Company, Inc.