

SPILL CONTAINMENT MANHOLES

AST INTERNAL DRAIN

Application -

Above ground applications designed to contain fuel spillage during tank filling.

Part Number - 76CD



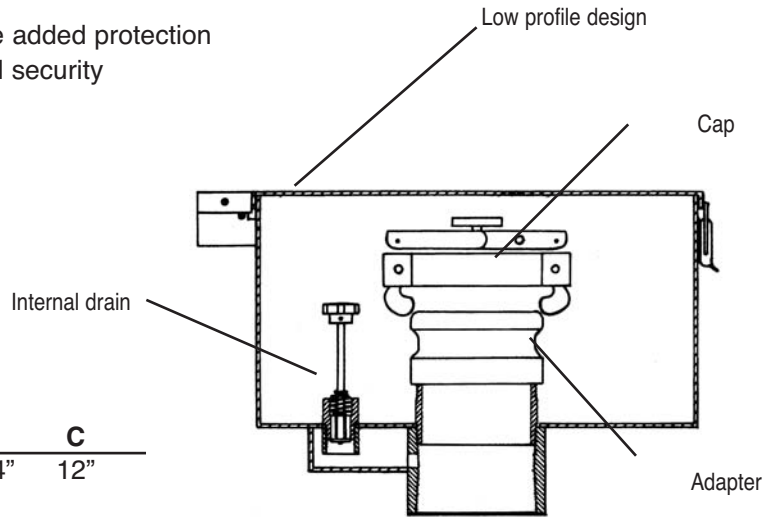
Features -

- ✓ An internal drain design, no external connections
- ✓ All steel construction and polymeric coating provide added protection
- ✓ A lightweight watershed cover is lockable for added security
- ✓ 7 gallon capacity
- ✓ Low profile design
- ✓ Threads onto a 4" riser

Construction -

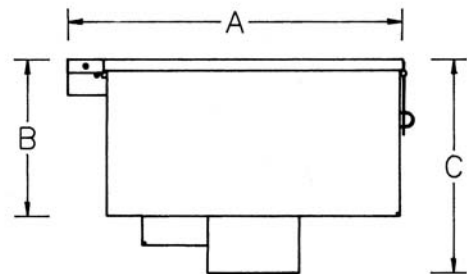
- All steel construction with epoxy coating
- Non-corrosive polymeric coating
- Brass drain valve

Model	Gallon Capacity	Weight (lbs.)	A	B	C
76CD-1608	7	32	29"	8-1/4"	12"



Replacement Parts

Part Numbers	Description
70CD-12-15	Screen
70CD-12-DA	Drain Valve Assembly
70CD-12-L	Knob for Drain Valve
76-A	Tank



Notice: Universal Valve Co., products must be used in compliance with applicable federal, state, and local laws and regulations. Product selection should be based on physical specifications and limitations and compatibility with the environment and material to be handled. Universal Valve Co., makes no warranty of fitness for a particular use. All illustrations and specifications in this literature are based on the latest production information available at the time of publication. Prices, materials, and specification are subject to change at any time, and models may be discontinued at any time, in either case, without notice or obligation.