



Quality and Reliability, Since 1932!

SPILL CONTAINMENT MANHOLES

INTERNAL DRAIN

Application -

Designed to contain spillage during underground tank filling.

Part Number - 71CD



Features -

- ✓ An internal drain design without external connections
- ✓ All cast iron ring for maximum strength
- ✓ A special water shedding cover design
- ✓ Cross threading and stripping eliminated by a cast iron base
- ✓ Easy open off-set handle grip
- ✓ Threads onto 4" riser
- ✓ H-20 rating
- ✓ Plastic guard – keeps gravel away from bellows
- ✓ V model without drain

Construction -

- Polyethylene bellows
- Cast iron bottom ring
- Ductile cast iron cover

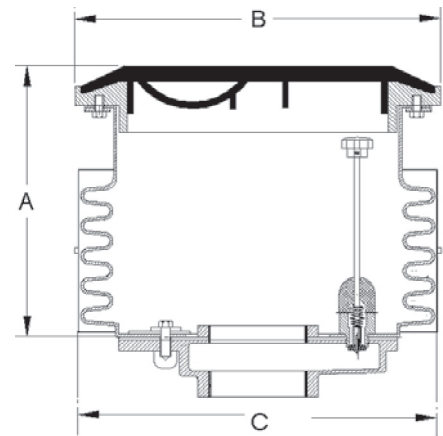
Model	Gallon Capacity	Weight (lbs.)	A	B	C
71CD-1212	5	44	15"	15-1/2"	15-1/2"
71CD-1212-V	5	44	15"	15-1/2"	15-1/2"

Replacement Parts

Part Numbers	Description
70C-12CO	12" Cover
70CD-12-14	Ring only
70CD-12-15	Drain Valve Screen
70CD-12-DA	Drain Valve Assembly
70CD-12-L	Drain Valve Knob
71DW-04	Drain Valve Plug
71-12-14	All Weather Cover (SP)
71-12-15	All Weather Ring (SP)

UNIVERSAL Advantage

Only from Universal! - A special flexible bellows allows both vertical and angular movement for easy installation. A rugged cast iron base, not plastic like competitive products, eliminates any chance of cross threading. A cast iron base also eliminates any possibility of isolating the upper riser, and creating a static collector.



Notice: Universal Valve Co., products must be used in compliance with applicable federal, state, and local laws and regulations. Product selection should be based on physical specifications and limitations and compatibility with the environment and material to be handled. Universal Valve Co., makes no warranty of fitness for a particular use. All illustrations and specifications in this literature are based on the latest production information available at the time of publication. Prices, materials, and specification are subject to change at any time, and models may be discontinued at any time, in either case, without notice or obligation.

UNIVERSAL VALVE COMPANY

478 Schiller Street, Elizabeth, NJ 07206 • (800) 223-0741 • (908) 351-0606 • Fax: (908) 351-0369 • universalvalve.com

© 2015 Universal Valve Company, Inc.