



The Best For Over 75 Years!

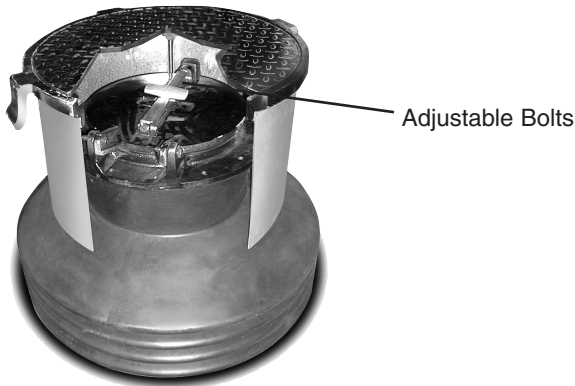
BELOW GRADE MANHOLES

NEVER-SINK MANHOLE

Application -

Prevents nozzle connection problems associated with settling of all competitive below-grade manholes.

Part Number - 146PL



UNIVERSAL Advantage

Only from Universal! Non-settling Never-Sink Manholes. No problem with bellows collapsing unlike competitive products.

Features -

- ✓ Eliminates bellows collapsing
- ✓ Maintains correct spacing between upper and lower covers
- ✓ Ring locks into concrete
- ✓ Adjustable height allows easy installation and maintenance without styrofoam spacers
- ✓ No extension required
- ✓ Available in 5 gallon
- ✓ 4" riser opening
- ✓ H-20 load rating

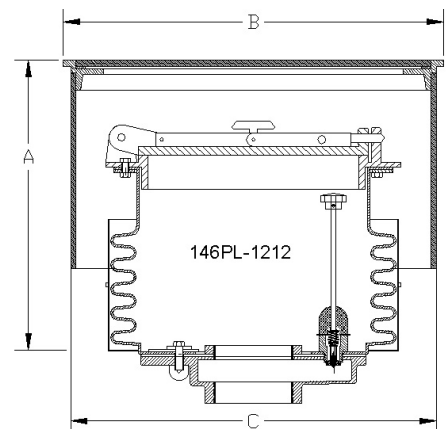
Construction -

- Cast iron ring
- Cross-linked polyethylene bellows
- Plastic gravel shield
- Cast iron base

Model	Gallon Capacity	Weight (lbs.)	A	B	C
146PL-1212	5	122.0	16"	22"	17-1/2"

Replacement Parts

Part Numbers	Description
146PL-11	1/2" Hex Bolt
146PL-13	1/2" Hex Nut
146PL-CO	Below Grade Cover
70CD-12-DA	Drain Valve Assembly
88-18-A1	18" Grade Level Diamond Plate Cover



Notice: Universal Valve Co., products must be used in compliance with applicable federal, state, and local laws and regulations. Product selection should be based on physical specifications and limitations and compatibility with the environment and material to be handled. Universal Valve Co., makes no warranty of fitness for a particular use. All illustrations and specifications in this literature are based on the latest production information available at the time of publication. Prices, materials, and specification are subject to change at any time, and models may be discontinued at any time, in either case, without notice or obligation.

UNIVERSAL VALVE COMPANY

478 Schiller Street, Elizabeth, NJ 07206 • (800) 223-0741 • (908) 351-0606 • Fax: (908) 351-0369 • universalvalve.com

© 2009 Universal Valve Company, Inc.