

NEW!

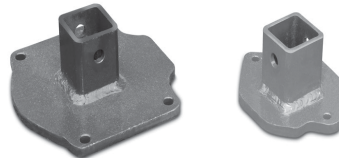
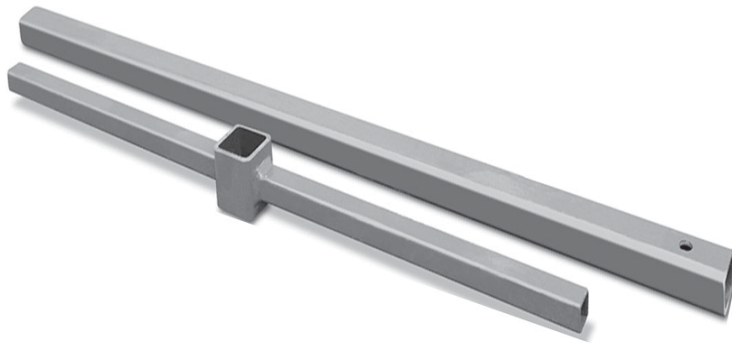
You've Got to Have it!

The Contractor's Best Buddy!

Now... Easily remove UST risers, nipples and Turbines.

- **Installs New Risers without damage to threads!**
- **Save Time and Energy**
- **Fast and Efficient**
- **A Tough job becomes Profitable**

Model- 63-110



Order Yours Today.....



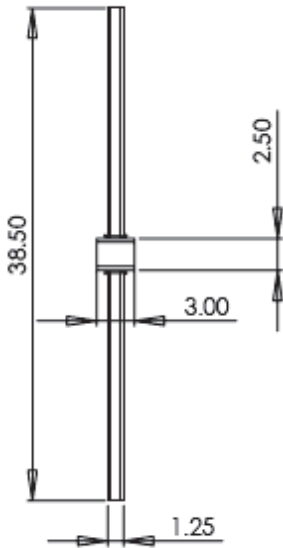
Tools of Our Trade
478 Schiller St
Elizabeth, NJ 07206
Call: 1-800-223-0741
Fax: 1-800-443-8251
www.universalvalve.com

**List Price
\$595.00**



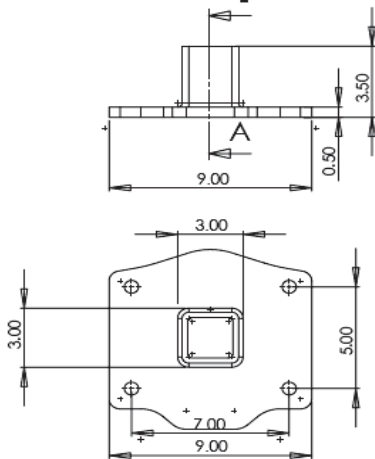
63-3

Tee Handle



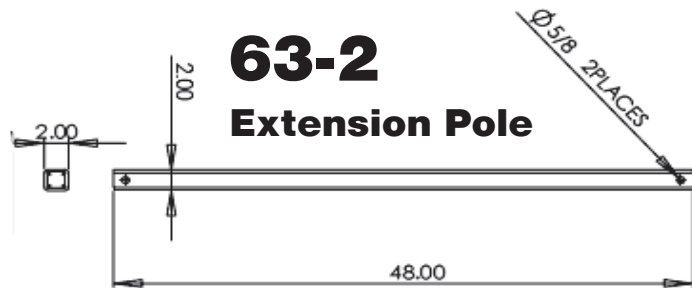
63-11

Turbine Adapter



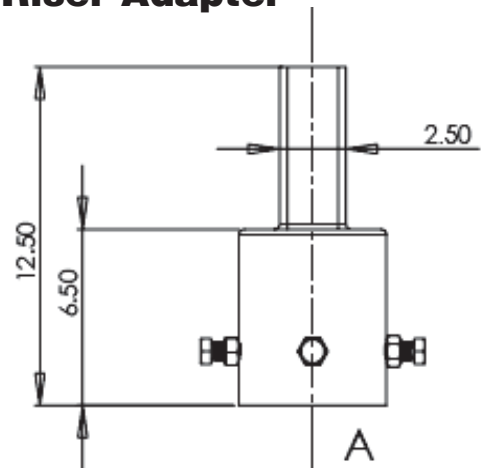
63-2

Extension Pole



63-8

Riser Adapter



63-12

Turbine Adapter

