



Family Owned Over 75 Years. We Care!



ABOVE GROUND MANHOLES

REMOTE FILL/PRE-PIPED FILL BOX

Application -

Designed to contain fuel spillage during tank filling operations.

Part Number - 1955-PPFB



UNIVERSAL Advantage

The All New Pre-Piped Fill Box is available in 2" and 3" fill models. Equipped with an overfill pump, shutoff ball valve, and lockable door.

Features -

- ✓ Equipped with an overfill pump
- ✓ Pre-Piped for Installation convenience
- ✓ Shutoff Ball valve
- ✓ Lockable Door
- ✓ Available in 2" and 3" models
- ✓ Standard wall mount- Bollard mount available

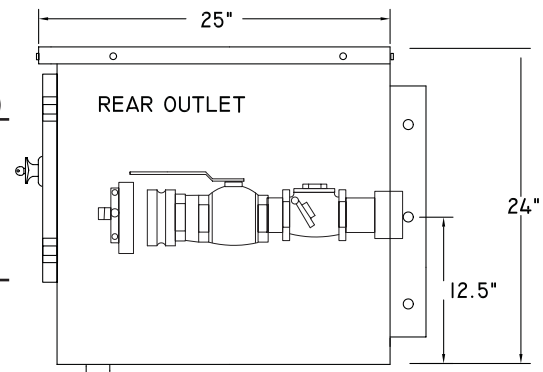
Construction -

- All stainless steel construction
- Steel pipe fittings
- Brass ball valve
- Steel overfill pump

Model	Description	Weight (lbs.)
1955-PPFB-2-SS	2" Pre-piped fill box stainless steel	106
1955-PPFB-3-SS	3" Pre-piped fill box stainless steel	125

Replacement Parts

Part Numbers	Description
49-CAP	2" Cap
1955-PPFB-K	Overfill Pump



Notice: Universal Valve Co., products must be used in compliance with applicable federal, state, and local laws and regulations. Product selection should be based on physical specifications and limitations and compatibility with the environment and material to be handled. Universal Valve Co., makes no warranty of fitness for a particular use. All illustrations and specifications in this literature are based on the latest production information available at the time of publication. Prices, materials, and specification are subject to change at any time, and models may be discontinued at any time, in either case, without notice or obligation.

UNIVERSAL VALVE COMPANY

478 Schiller Street, Elizabeth, NJ 07206 • (800) 223-0741 • (908) 351-0606 • Fax: (908) 351-0369 • universalvalve.com

© 2009 Universal Valve Company, Inc.