



The Most Complete Line of UST/AST Products!



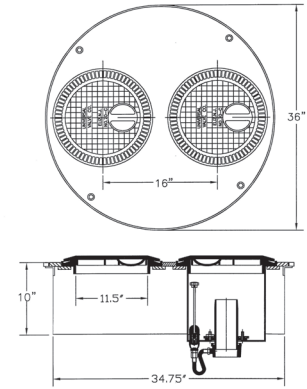
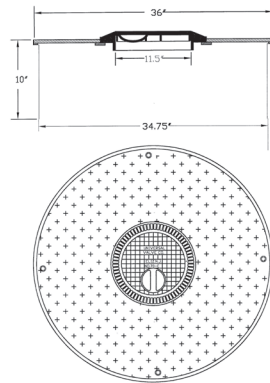
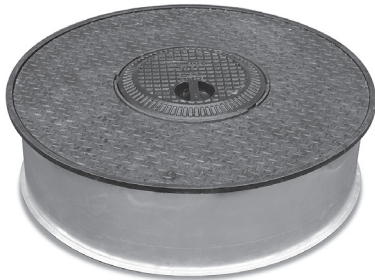
MANHOLES

MULTI-ACCESS MANHOLES

Application -

Utilized to access the fuel riser without removing the large, heavy manhole cover. Removal of the large cover allows access to the containment sump.

Part Number - 78DA, 78TA & 78QA



Features -

- ✓ Available in dual, triple and quad access
- ✓ Available with or without spill containment manhole
- ✓ H-20 load rating
- ✓ Gasketed, bolted cover, with 4 flush mount bolts
- ✓ Heavy duty thicker cover
- ✓ Heavy duty fabricated steel ring
- ✓ Available 36", 38", 42" and 48"

Construction -

- Diamond plate steel cover
- 12 gauge galvanized steel skirt
- Fabricated steel ring

Dual Triple and Quad Access Manholes:

78

Options: DA= Dual Access TA= Triple Access QA= Quad Access	Options: (Triple and Quad Access Pick 2) 2= Ring and Cover Access only 3= Spill container 70C-1212-SP 4= Spill containment 70CD-1212-SP 5= Spill containment 72-0504-SP-SS 6= Below grade spill containment 71SCD-1212 7= Below grade spill containment 71SCP-1212 8= Below grade spill containment 71SCD-1212-SS 9= Below grade spill containment 71SCP-1212-SS 10= 8" Access only inspection port	Options: 36", 38", 42" and 48" Designates diameter of manhole	Options: 10", 18" and 24" Designates height of the skirt -10" standard
---	---	---	---

Example: 78DA2-3610 Dual Access with ring and cover 36" diameter & 10" Skirt
78TA23-3818 Triple Access with ring and cover, 70c spill container, 38" diameter and 18" skirt

Notice: Universal Valve Co., products must be used in compliance with applicable federal, state, and local laws and regulations. Product selection should be based on physical specifications and limitations and compatibility with the environment and material to be handled. Universal Valve Co., makes no warranty of fitness for a particular use. All illustrations and specifications in this literature are based on the latest production information available at the time of publication. Prices, materials, and specification are subject to change at any time, and models may be discontinued at any time, in either case, without notice or obligation.