



Proven Performance Since 1932.



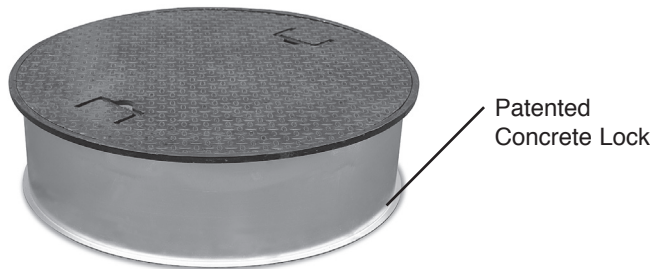
MULTI-PURPOSE MANHOLES

ROUND STANDARD

Application -

A wide variety of service station, commercial and industrial applications. Provides access to underground equipment. Recommended for high-traffic applications where maximum manhole strength is required.

Part Number - 68



UNIVERSAL Advantage

Only from Universal - Our galvanized skirts offer superior rust protection over industry style "painted only" skirts. A bottom concrete lock and anti deformation lip is standard on all 68 and 78 series. **Eliminates any loading onto the sump and tank caused by interference.** Better cover thickness for maximum strength. All of our 30" and 36" covers have a full 1/2" cover thickness, while industry uses only 3/8".

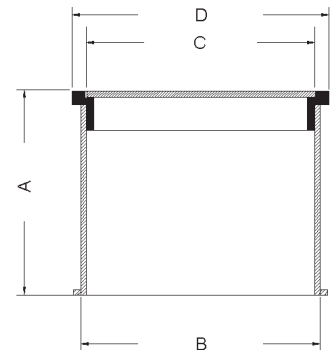
Features -

- ✓ Convenient handle lies "flush" with the surface to eliminate tripping accidents and obstruction
- ✓ Welded and reinforced for maximum strength and longevity
- ✓ Patented bottom flair locks in concrete
- ✓ H-20 Load rating
- ✓ Compatible with E-85

Construction -

- Fabricated steel ring
- Steel diamond plate cover
- Buna-N gaskets
- 12 gauge galvanized skirts*

Model	Size	Weight (lbs.)	A	B	C	D	Cover Thickness
68-2410	24" x 10"	95	10"	22-1/4"	23-11/16"	26"	3/8"
68-3010	30" x 10"	133	10"	28-1/4"	29-11/16"	32"	1/2"
68-3610	36" x 10"	185	10"	34-1/4"	35-11/16"	38"	1/2"
68-3810	38" x 10"	210	10"	38"	39-1/2"	41"	1/2"
68-4210	42" x 10"	235	10"	40-1/4"	41-11/16"	44"	1/2"
68-4810	48" x 10"	313	10"	46-1/4"	47-11/16"	50"	1/2"



*Custom Skirt Length Available. Call Customer Service for Details.

Replacement Parts

Part Numbers	Description	Part Numbers	Description
68-2410-WOC	24" Ring and Skirt	88-24-A1	24" Diamond Plate Cover
68-3010-WOC	30" Ring and Skirt	88-30-A1	30" Diamond Plate Cover
68-3610-WOC	36" Ring and Skirt	88-36-A1	36" Diamond Plate Cover
68-3810-WOC	38" Ring and Skirt	88-38-A1	38" Diamond Plate Cover
68-4210-WOC	42" Ring and Skirt	88-42-A1	42" Diamond Plate Cover
68-4810-WOC	48" Ring and Skirt	88-48-A1	48" Diamond Plate Cover

Notice: Universal Valve Co., products must be used in compliance with applicable federal, state, and local laws and regulations. Product selection should be based on physical specifications and limitations and compatibility with the environment and material to be handled. Universal Valve Co., makes no warranty of fitness for a particular use. All illustrations and specifications in this literature are based on the latest production information available at the time of publication. Prices, materials, and specification are subject to change at any time, and models may be discontinued at any time, in either case, without notice or obligation.

UNIVERSAL VALVE COMPANY

478 Schiller Street, Elizabeth, NJ 07206 • (800) 223-0741 • (908) 351-0606 • Fax: (908) 351-0369 • universalvalve.com

© 2017 Universal Valve Company, Inc.