



The Most Complete Line of UST/AST Products!

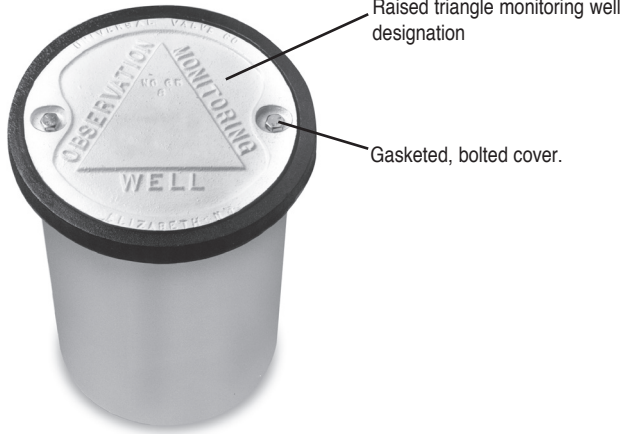
MONITORING WELL MANHOLES

ROUND CAST BOLTED MANHOLE

Application -

Applications where limited access and maximum security is needed.

Part Number - 65-WC



UNIVERSAL Advantage

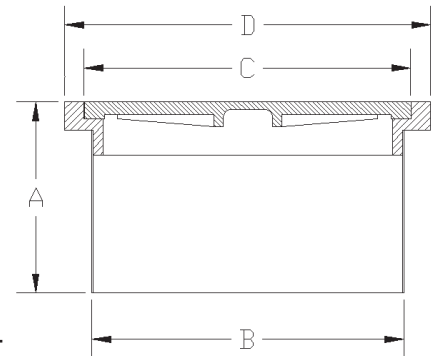
Only from Universal! - Raised triangle monitoring well designation. Clearly marked cast iron cover with monitoring well designation in accordance with API -RP-1615.

Features -

- ✓ White polymeric coated cover for non-corrosion
- ✓ 2 flush-mount stainless steel bolts for added security and limited access
- ✓ Gasketed for water and contamination protection
- ✓ Carries H-20 load rating

Construction -

- Cast iron cover and ring
- 2 flush mount stainless steel bolts
- Galvanized steel skirt
- Buna-N gasket
- Heavy-duty cast iron ring and cover
- Polymeric coating



Model	Size	Weight (lbs.)	A	B	C	D
65-8075-WC	8" x 7-1/2"	11.4	6-3/4"	8-1/4"	8-3/8"	9-1/2"
65-8012-WC	8" x 12"	16.5	13-3/8"	8-1/4"	8-3/8"	9-1/2"
65-1212-WC	12" x 12"	30.5	13-3/8"	12-1/4"	12-3/8"	13-1/2"
65-1280-WC	12" x 8"	26.5	7-1/4"	12-1/4"	12-3/8"	13-1/2"

Replacement Parts

Part Numbers	Description	Part Numbers	Description
1300-246	Pop Rivet	65-12-D	12" Gasket
60-12-C3	12" x 6" Skirt	65-8012-A1	8" Ring only
60-8-C3	8" x 6" Skirt	65-8012-CO	8" Cover only
65-1212-A2	12" Ring only	65-8-C1	8" x 12" Skirt
65-1212-CO	12" Cover only	65-8-G	8" Gasket
65-12-C2	12" x 12" Skirt	65-BT	Bolt

Notice: Universal Valve Co., products must be used in compliance with applicable federal, state, and local laws and regulations. Product selection should be based on physical specifications and limitations and compatibility with the environment and material to be handled. Universal Valve Co., makes no warranty of fitness for a particular use. All illustrations and specifications in this literature are based on the latest production information available at the time of publication. Prices, materials, and specification are subject to change at any time, and models may be discontinued at any time, in either case, without notice or obligation.

UNIVERSAL VALVE COMPANY

478 Schiller Street, Elizabeth, NJ 07206 • (800) 223-0741 • (908) 351-0606 • Fax: (908) 351-0369 • universalvalve.com

© 2017 Universal Valve Company, Inc.