



The Best For Over 75 Years!

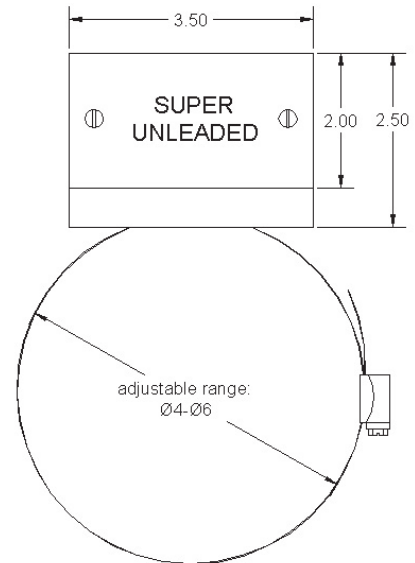
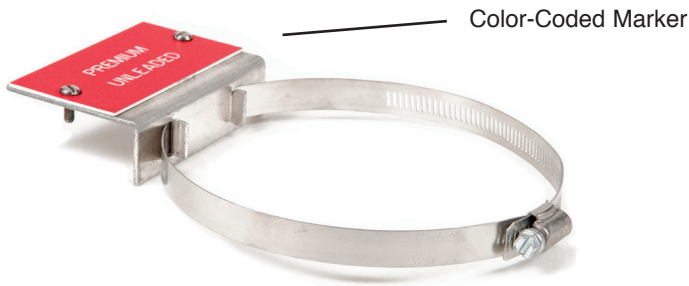
IDENTIFICATION MARKERS

PIPE CLAMP MARKER

Application -

Color-coded identification with all API specifications for quick visual identification of underground stored fuel products

Part Number - 56



Features -

- ✓ Color-coded to API specifications
- ✓ Identification markers may be replaced or changed as needed
- ✓ Easy to install for retro-fit use
- ✓ Available for special applications
- ✓ Custom wording available. Call factory for details. Model "56-S"

Construction -

- Stainless steel band
- Aluminum marker tab
- Plastic identification plate

Model	Description	Weight (lbs.)	Model	Description	Weight (lbs.)
56-B	Blank	0.5	56-RUE	"Regular Unleaded w/Ethanol"	0.5
56-D	Diesel	0.5	56-S	Custom Marker	0.5
56-E	Ethanol	0.5	56+	"+" Marker	0.5
56-E85	"E85" Pipe Clamp Marker	0.5	56-UE	"Unleaded w/Ethanol"	0.5
56-FO	Fuel Oil	0.5	56-ULT	Ultra	0.5
56-HO	Heating Oil	0.5	56-UP	Unleaded Plus	0.5
56-K	Kerosene	0.5	56-VR	Vapor Recovery	0.5
56-P	Premium	0.5	56-WO	Waste Oil	0.5
56-PU	Premium Unleaded	0.5	Replacement Parts		
56-R	Regular	0.5	Part Numbers	Description	
56-SU	Super Unleaded	0.5	56-1-A	Bracket	
56-U	Unleaded	0.5	56-C1	Screw For Marker	
56-M	Midgrade	0.5	56-D1	Band	
56-MU	Midgrade Unleaded	0.5			
56-RU	Regular Unleaded	0.5			

Notice: Universal Valve Co., products must be used in compliance with applicable federal, state, and local laws and regulations. Product selection should be based on physical specifications and limitations and compatibility with the environment and material to be handled. Universal Valve Co., makes no warranty of fitness for a particular use. All illustrations and specifications in this literature are based on the latest production information available at the time of publication. Prices, materials, and specification are subject to change at any time, and models may be discontinued at any time, in either case, without notice or obligation.

UNIVERSAL VALVE COMPANY

478 Schiller Street, Elizabeth, NJ 07206 • (800) 223-0741 • (908) 351-0606 • Fax: (908) 351-0369 • universalvalve.com

© 2012 Universal Valve Company, Inc.