



Quality and Reliability, Since 1932!

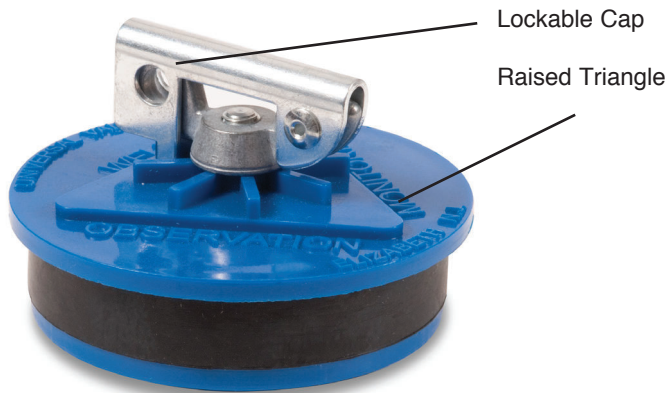
MONITORING WELL ACCESSORIES

LOCKING PIPE PLUG

Application -

Sealing PVC pipe in monitoring well applications. The expandable elastomer seal fits firmly against the pipe walls, holding the plug securely in place.

Part Number - 1300



UNIVERSAL Advantage

Only from Universal! - A raised triangle injection molded into the plastic for clear, permanent identification. This unique design also eliminates water from settling on the top of the cap.

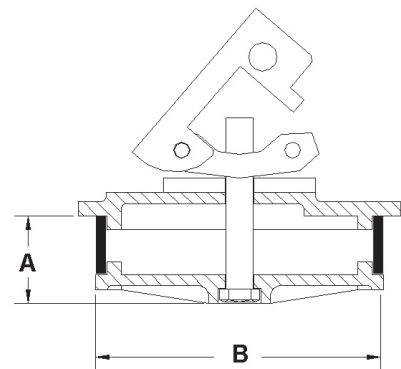
Features -

- ✓ Protects against contamination
- ✓ Clearly marked monitoring well designation in accordance with API-RP-1615
- ✓ Seal is both water and vapor tight
- ✓ Corrosion proof plastic body
- ✓ Does not require an adapter
- ✓ Accommodates optional locks
- ✓ Complies with state and federal regulations
- ✓ Plug is blue which signifies a monitoring well
- ✓ Lockable cap

Construction -

- PVC casing - injection molded
- Hinge assembly - all metal
- Buna-N seal

Model	Size	Weight (lbs.)	A	B
1300-20	2"	0.2	2-1/8"	2-3/8"
1300-40	4"	0.6	2-5/8"	4-1/2"



Notice: Universal Valve Co., products must be used in compliance with applicable federal, state, and local laws and regulations. Product selection should be based on physical specifications and limitations and compatibility with the environment and material to be handled. Universal Valve Co., makes no warranty of fitness for a particular use. All illustrations and specifications in this literature are based on the latest production information available at the time of publication. Prices, materials, and specification are subject to change at any time, and models may be discontinued at any time, in either case, without notice or obligation.

UNIVERSAL VALVE COMPANY

478 Schiller Street, Elizabeth, NJ 07206 • (800) 223-0741 • (908) 351-0606 • Fax: (908) 351-0369 • universalvalve.com

© 2012 Universal Valve Company, Inc.