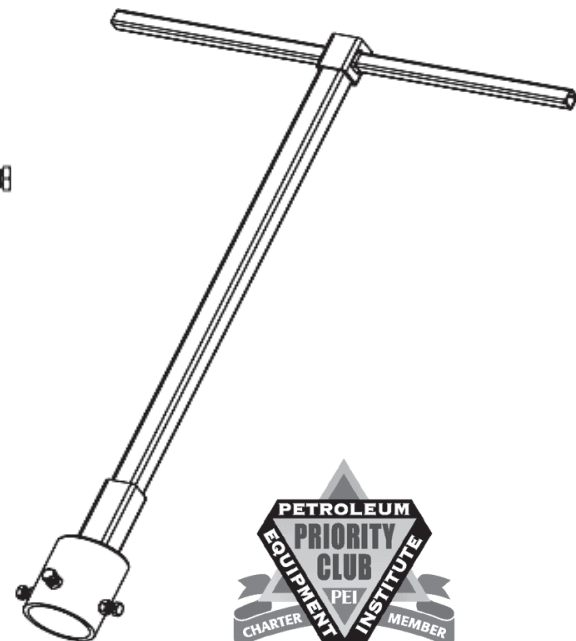
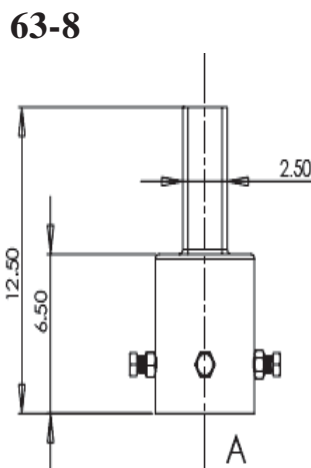
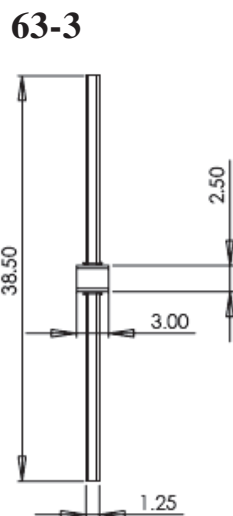
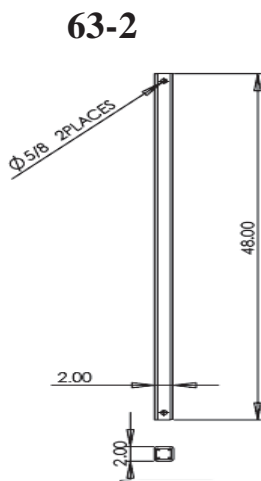


DIRECTIONS FOR THE USE OF 63-110 RISER AND NIPPLE REMOVER AND INSTALLATION TOOL

1. Slide the 63-3 tee handle over the 63-2 Extension Pole. It will slide freely up and down the 63-2 extension pole allowing you to use it at the desired height.
2. Screw the patented 63-8 riser adapter on the riser to be removed. Tighten side bolt's ½ turn. Insert 63-2 extension pole, turn counter clock wise to remove riser. After removal of riser, loosen the bolts. Tap 63-8 riser adapter and riser will unscrew the head by hand.
3. For installation of new riser reverse the above process.
4. For installation of the nipple into spill bucket – thread nipple into bucket. Screw 63-8 riser adapter onto nipple and tighten bolts. Loosen bolts and tap the shaft. The 63-8 riser adapter will spin off by hand.
5. For removal of nipple from the bucket reverse the above procedure.



Universal Valve Company Inc
478 Schiller St- Elizabeth NJ 07206
www.universalvalve.com
sales@universalvalve.com
800-223-0741

