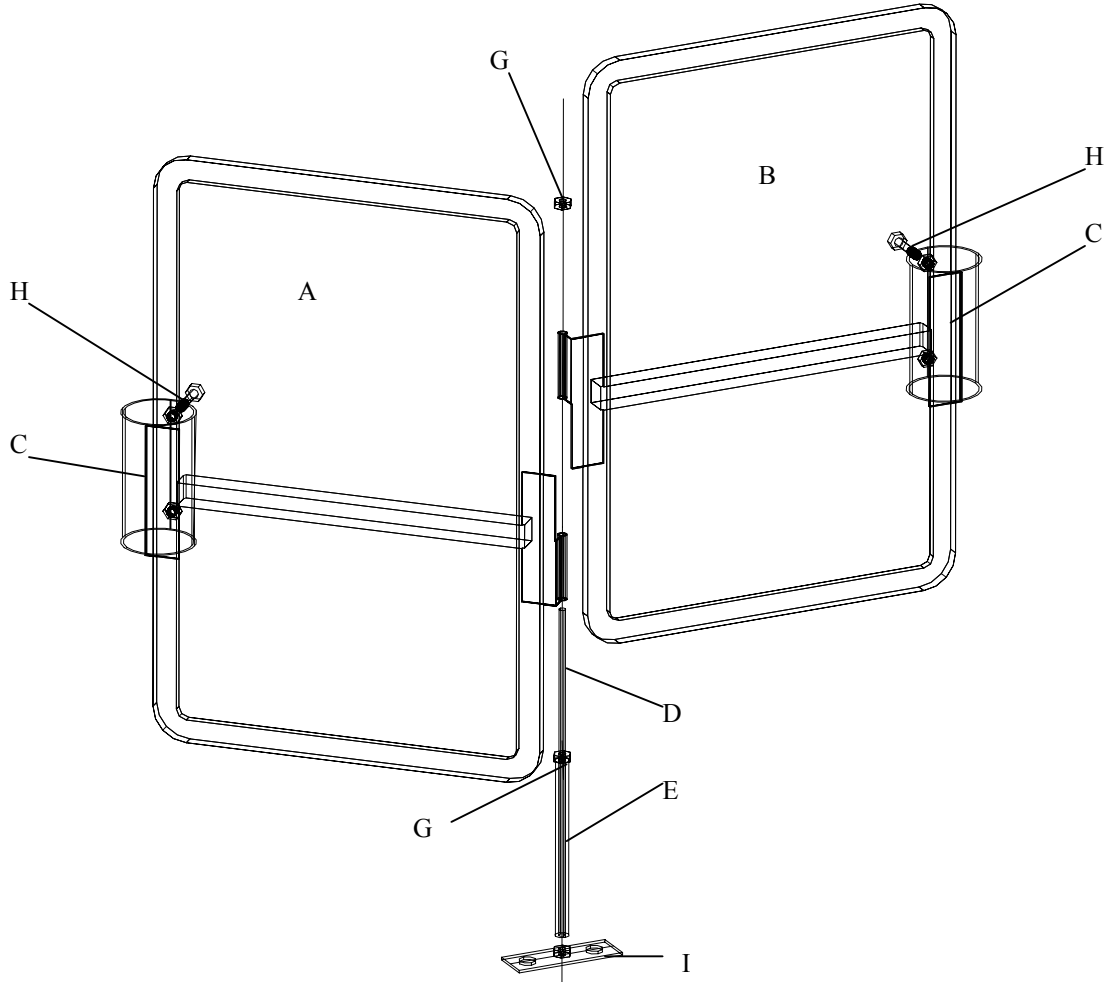


BankTeller Installation Instructions



1. Screw threaded rod (D) onto foot base (I)
 2. Slide plastic tube (E) onto threaded rod (D)
 3. Screw down hex nut (G) on threaded rod (D) to top of sleeve (E)
 4. Slide threaded rod (D) through panel (A) and (B).
 5. Screw hex nut (G) onto threaded rod (D)
 6. Slide sleeve (C) over existing bollard.
 7. Tighten sleeve bolts (H) to secure sign to bollard.
 8. Tighten top hex nut (G).
- (Foot base has optional bolt down holes for anchoring into concrete)

Proven Performance



UNIVERSAL VALVE CO., INC.

478 Schiller Street • Elizabeth, New Jersey 07206
(800) 223-0741 • (908) 351-0606 • Fax: (908) 351-0369
e-mail: sales@universalvalve.com
visit us at: www.universalvalve.com

