



Universal Installation and Maintenance Instructions Sump Retrofit Cover Part#-1943

IMPORTANT: It is imperative that the user read these warnings and use of the assembly instructions completely and carefully before installing Universal's Retrofit Sump Cover. Failure to do so may cause product failure.

IMPORTANT: Check to make sure that all parts are supplied before attempting to install the unit. If any parts are missing consult with supplier, never substitute or replace parts. Other parts may result in product failure, or future repair problems.

WARNING-DANGER: Using electrically operated equipment near gasoline or gasoline vapors may result in fire or explosion, causing personal injury, death and property damage. Be sure that the working area is free from such hazards, and always use proper precautions when working with hazards.

NOTICE: UNIVERSAL products must be used in compliance with applicable federal, state, and local laws and regulations. Product selection is base primarily on environmental conditions, compatibility, efficiency and esthetics. Specifications, limitations are specified and complied with the ULC. All illustrations and specifications in this literature are based on the latest product selection. Prices, materials, and specifications are subject to change at any time.

Performance Specifications:

The Retrofit Cover installs in minutes, and fits sumps 27" to 34". It is make up of a rugged steel support ring and cover for maximum strength and durability. It consists of mechanical seal and adjustable clamping device that eliminates glues or adhesive that would deteriorate after a year. The Cover consists of an additional safety monitoring access port that eliminates the need to remove the main cover.

Tool Required:

Turn-Buckle

Adjustable Wrench

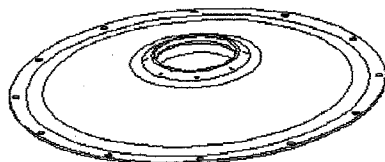
Torque Specification:

Turn-Buckle, 10ft-lbs min – 30ft-lbs max

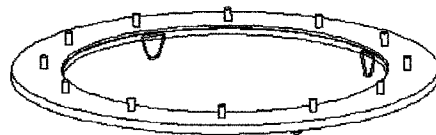
Wing Nuts, 3/8-16 UN thread, 10ft-lbs min – 15ft-lbs max



RETROFIT SUMP COVER ◻



Sump Cover x1



Support Ring x1



Turn-Buckle x4

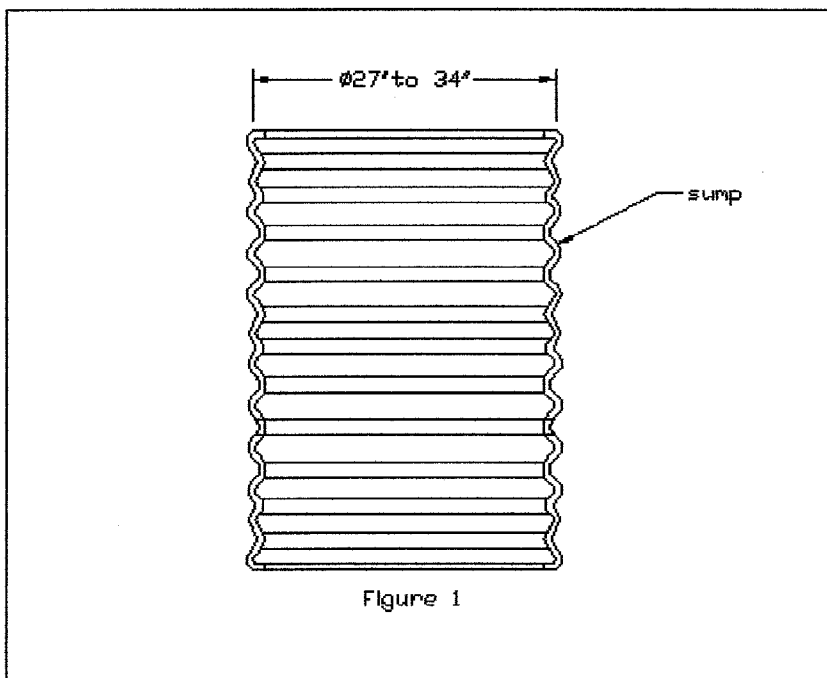


Wing Nuts x12

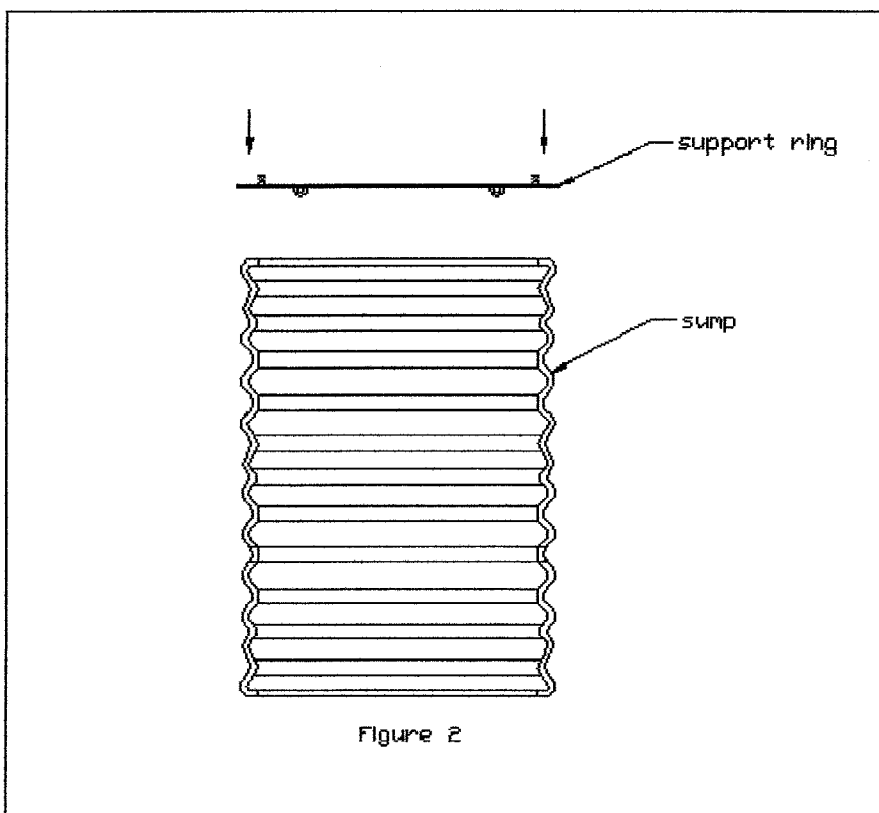


Access Port
Cover x1

1. Determine the size Retrofit Cover to be used by measuring the diameter of the sump. Universal's Retrofit cover will fit sumps of diameter 27" to 34" as shown in Figure 1.



2. Place the Support Ring on top of the Sump with studs facing up as shown in Figure 2. Make sure that the ring is concentric with the diameter of the sump.



4. Make sure the hooks of the turn-buckle is fully extended by screwing outwards. Attach the capable with bracket to the bottom of the sump. Taut the cable and connect to the hooks of the Support Ring as shown in Figure 3 below.

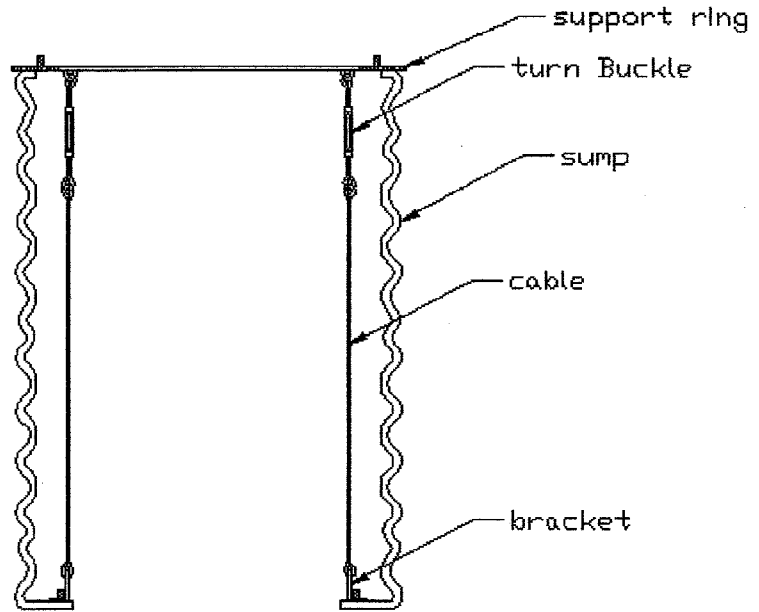


Figure 3

5. Turn the Turn-Buckles in the direction that retracts the Support Ring tight onto the lip of the sump as shown in Figure 4.

Note: the Turn-Buckles must be turn to create as much tension to seal the Support Ring onto the lip of the sump.

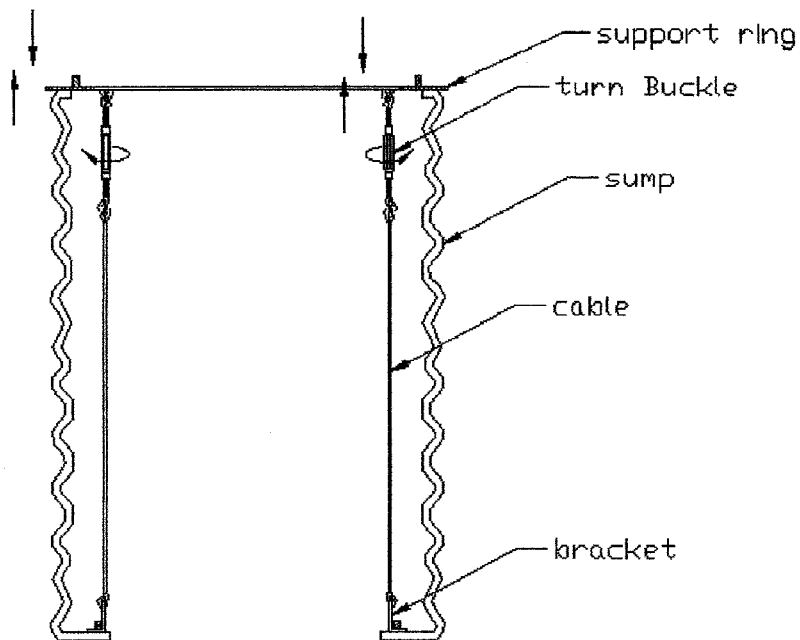


Figure 4

6. Place the Sump Cover onto the surface of the Support Ring as shown in Figure 5. Holes of the cover should align with the studs of the Support Ring to allow surface contact. Insert by screwing in the access port cover into the access port as shown in the diagram.

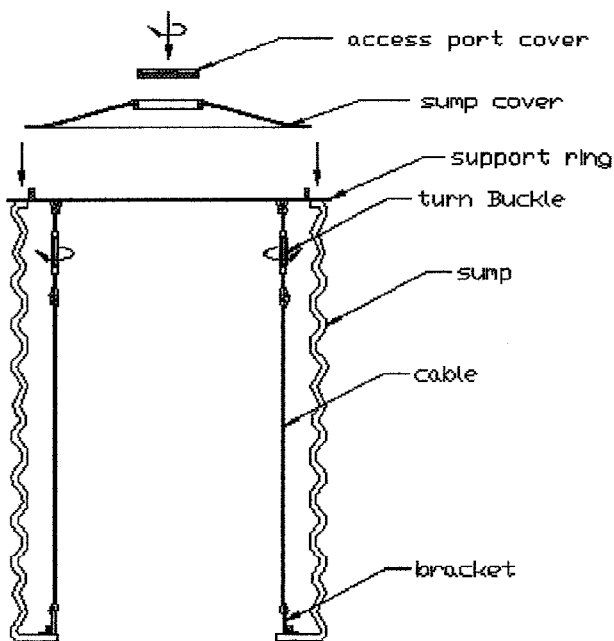


Figure 5

6. Secure the Sump Cover unto the Support Ring by screwing down with all 12 Wing nuts.

NOTE: there is a gasket at the bottom of the Sum Cover. Tighten nuts with as much torque to create a seal. Nuts should be tightened with a hand torque of about 20lb-in. Power tools are not necessary for this assembly.

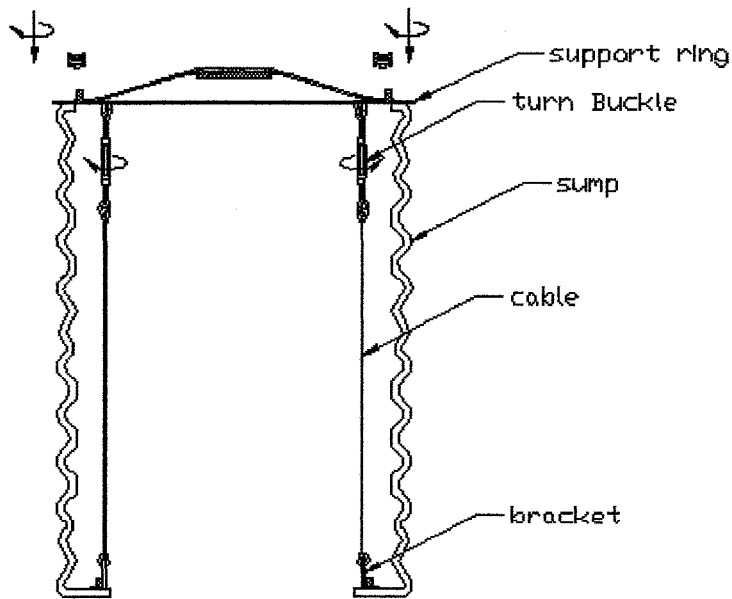


Figure 6